

GENERAL INFORMATION:

BASIC DATA (PER CELL):

MIN/MAX GPM RANGE - 800/2,400
 ACTUAL DESIGN GPM -
 HWT(°F) -
 CWT(°F) -
 WBT(°F) -

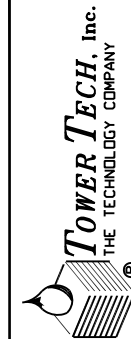
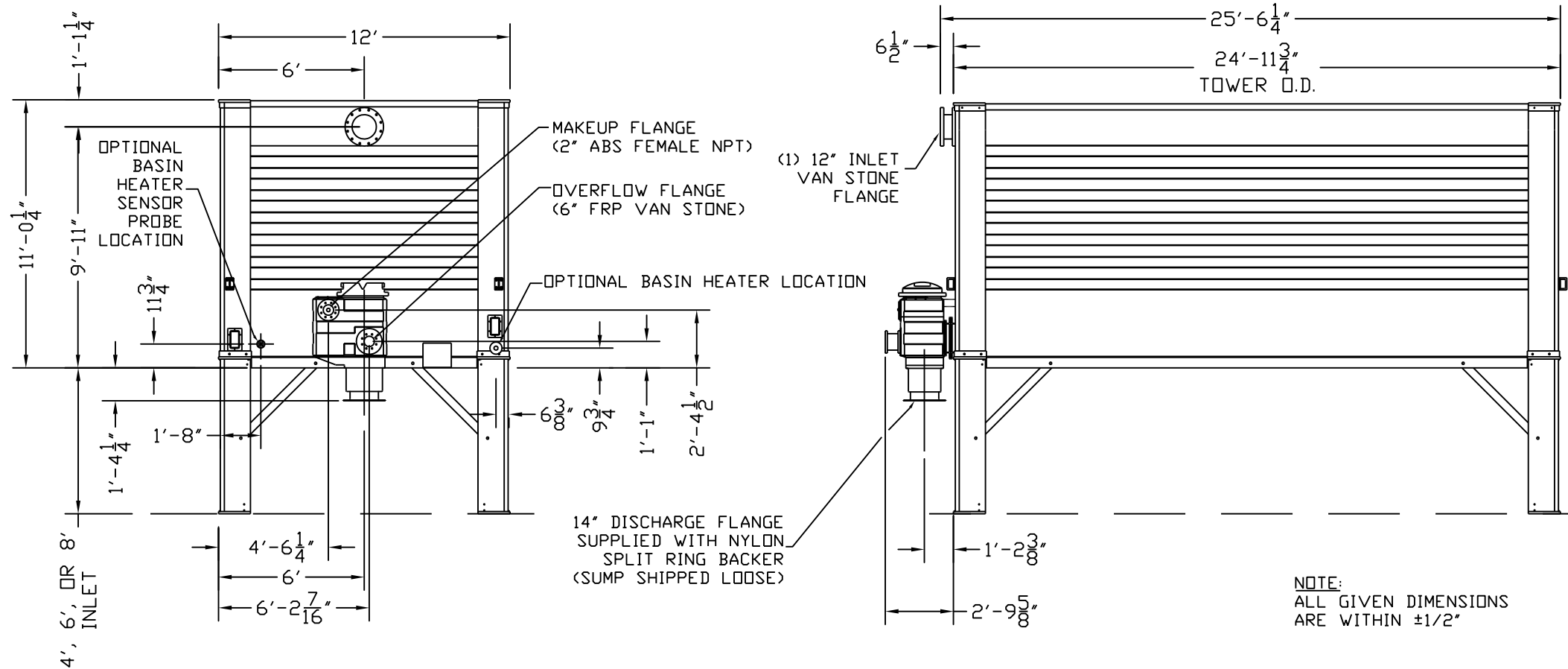
MOTOR DATA (PER CELL):

BRAND - U.S. MOTOR (OR EQUIV)
 EFFICIENCY - HIGH
 HP - 3.0
 VOLTAGE - 460
 HZ - 60
 PHASE - 3
 NUMBER - 8

WEIGHTS (PER CELL):

DRY SHIPPING WEIGHT - 13,950 lbs
 OPERATING WEIGHT - 25,090 lbs

1. ALL EXTERNAL PIPING PROVIDED BY CUSTOMER.
2. EXTERNAL PIPING TO BE "STAND ALONE" (INDEPENDENTLY SUPPORTED).
3. NO LOAD TO BE APPLIED TO TOWER TECH TOWER OR SUMP.
4. FOR APPROPRIATE WATER LEVEL REFER TO STARTUP SECTION IN TOWER TECH'S DESIGN, INSTALLATION & OPERATION MANUAL.



TELEPHONE: (405) 290-7788
 FAX: (405) 979-2131
 E-MAIL: cod@towertechinc.com
 WEBSITE: http://www.towertechinc.com
 5400 NW 5th
 OKLAHOMA CITY, OKLAHOMA 73127

TOWER TECH, INC.
1-Unit Installation
TTXL-08 Plan/Elevation

Modular Fiberglass Cooling Tower
 Model # TTXL-081930

Oklahoma City, Oklahoma

© 2001-2008 BY TOWER TECH, INC. ALL RIGHTS RESERVED

FOR APPROVAL BY	DATE
Tower Tech Design Team	
REVISIONS	
NO.	DATE

DATE:	18 MAR 08
DRAWING#:	XL-08-2
PROJECT#:	LIBRARY
CUST PO#:	
DRAWN BY:	RFB
CHECKED BY:	
PLAN & ELEVATION	2